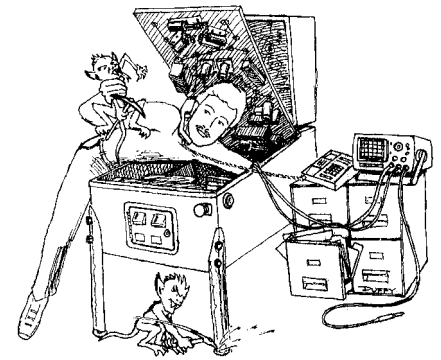


Service Bulletin N° 96A



Joe Blackwell Eric Winston Ted Kilpin Jay Alfer
 Technical Support Manager Technical Support Engineer Technical Support Engineer Tech. Doc. Administrator

TO: Parts & Service Managers
DATE: March 21, 1997 (Updated May 12, 1997)
SUBJ: **Dot Matrix Display Board:
 Spacer X4 Addition & Bracket X2 Replacement**

We are using the *New Style* Cherry 128 X 32 Dot Matrix Display Board (*beige* colored display P.C.B.) in our *New Sega Showcase Backbox* used on *Space Jam* and *The Star Wars Trilogy-Special Edition*. We have found that the brackets we are using to mount the Board work great with the *New Style Display*, but can create a potential short condition if an *Old Style Board* (*green* colored display P.C.B.) is "Swapped-In" as a replacement.

In an effort to aid the operator by ensuring *compatibility* with all 128 x 32 Displays, even those used by other pinball manufacturers, we have immediately **added a spacer** between the Holder Brackets and the Display and have **replaced these brackets** with new ones (the length of the bracket is reduced by 7/16" from the end of the base). Available now is a **Spacer Kit, Sega Part N° 500-6206-00**, This kit contains 4 each 3/16" Lg. Spacers (254-5000-18) & 2 each *New Dot Matrix Display Holder Brackets* (515-6623-08).

Figures 1 & 2 shown to the right, depicts where the spacers & brackets will need to be placed (see Fig. 1 for individual Part Numbers).

Please call Sega Pinball Technical Support with the Serial N° of your game and we will send a kit out at no charge.

Fig. 1

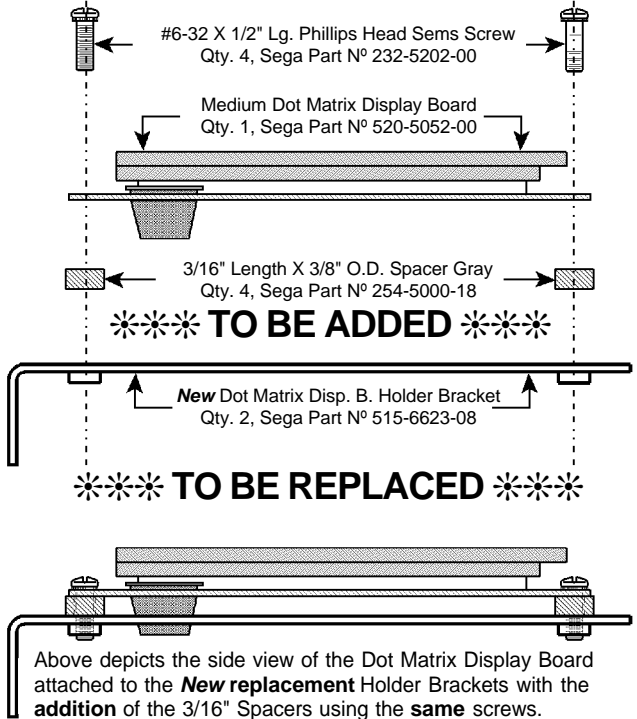
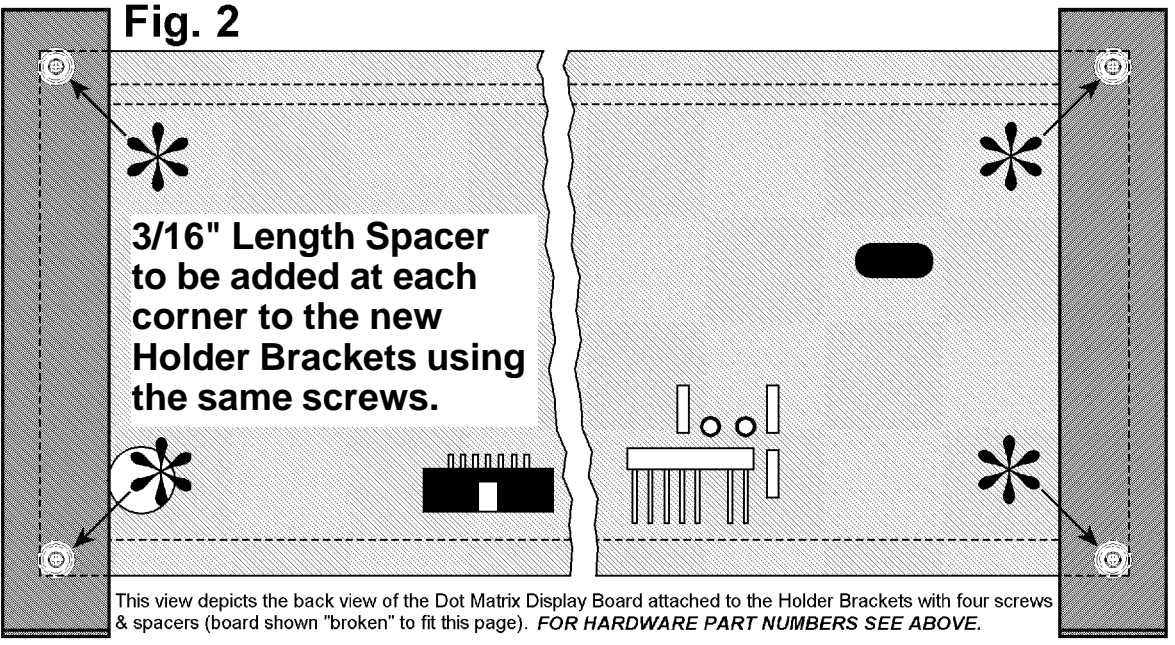


Fig. 2



This view depicts the back view of the Dot Matrix Display Board attached to the Holder Brackets with four screws & spacers (board shown "broken" to fit this page). **FOR HARDWARE PART NUMBERS SEE ABOVE.**