

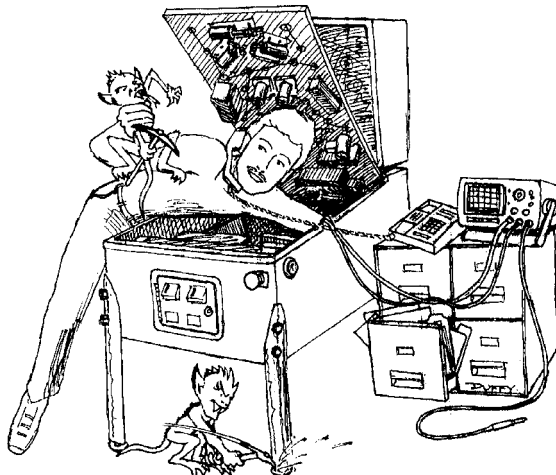
Service Bulletin N° 86



1990 Janice Avenue
Melrose Park, IL 60160
• & Tel 708-345-7700 •

Technical Support

- 1-800-KICKERS (800-542-5377) •
- Fax 708-345-7889 •



Joe Blackwell Technical Support Manager	Eric Winston Technical Support Engineer	Ted Kilpin Technical Support Engineer	Jay Alfer Tech. Doc. Administrator
--	--	--	---------------------------------------

TO: Parts & Service Managers

DATE: September 3, 1996

SUBJ: **INDEPENDENCE DAY** Potential Balltrap in the Plastic Under-Trough

THIS IS NOT A MANDATORY MODIFICATION!

This procedure is only necessary if your game exhibits the following symptom.

SYMPTOM: Balls get trapped in the Plastic Under-Trough Ramp beneath the *Alien Head*.

CAUSE: We have found a **potential** for a balltrap between the 2-1/2" Hex Spacer and the back wall of the Under-Trough because of normal variations in vacuum-formed plastic ramps (see Fig. 1 below).

SOLUTION: Remove the Plastic Under-Trough Ramp Assembly by removing the three 1/4" Hex Head Mounting Screws. Remove the two Phillips Screws and the 2-1/2" Hex Spacer (see Fig. 2 on the next page). Reattach the Under-Trough.

NOTE: This spacer was there strictly to give **additional** support to the clear plastic cover over the top of the trough. *Removing it will not create any problems.*

You may ask more questions or voice your concerns at 1-800-542-5377 or 708-345-7700.

Fig. 1

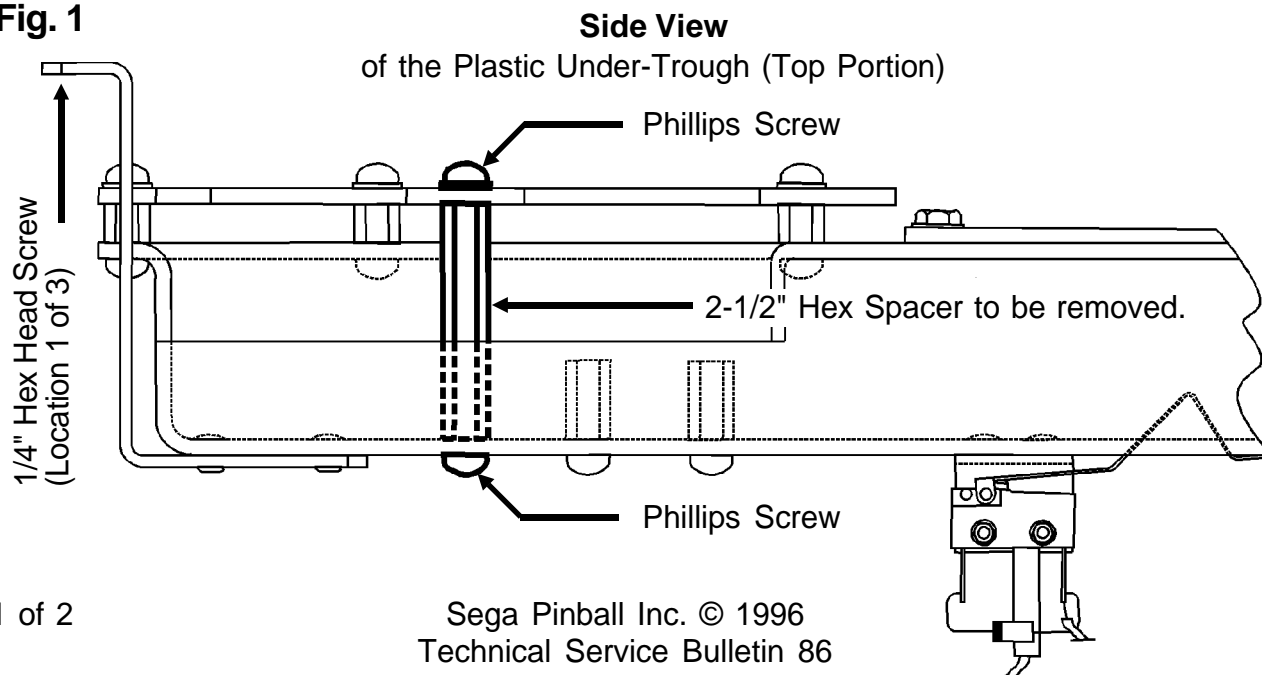


Fig. 2

Bottom View of the ID4 Playfield
(as seen in the up position
as leaning against the Back Box.)

