

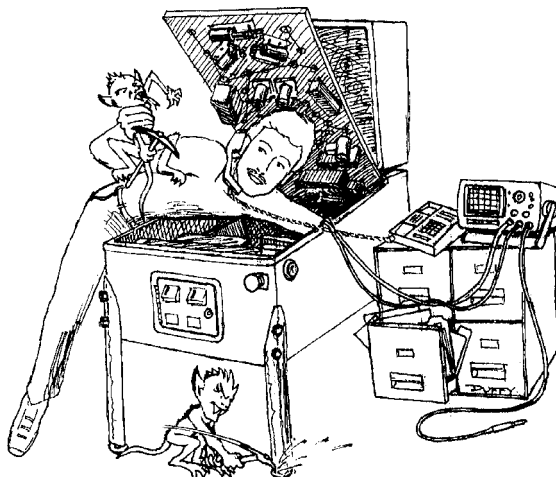
Service Bulletin N° 83

SEGA™ PINBALL, INC.

1990 Janice Avenue
Melrose Park, IL 60160
• & Tel 708-345-7700 •

Technical Support

- 1-800-KICKERS (800-542-5377) •
- Fax 708-345-7889 •



Joe Blackwell
Technical Support Manager

Eric Winston
Technical Support Engineer

Ted Kilpin
Technical Support Engineer

Jay Alfer
Tech. Doc. Administrator

TO: Parts & Service Managers

DATE: January 23, 1996

SUBJ: **BATMAN™**
FOREVER Premature failure of the New Style Flipper Pawl Assy.

We have discovered that a number of the pawls used with our new Flipper Assembly on Batman Forever Pinball were manufactured with a softer material than specified by our Engineering Department (see Fig. 1). This can lead to a premature failure of the Flipper Pawl (Mounting Link) producing "weak" flipper action caused by excessive wear where the pawl connects to the link.

Note:

Earlier production games used the old style Flipper Assy. which would not have this problem.

Please view the next page with Fig. 1 & 2 to match your flipper with the one shown, ensuring your game has the new style flipper. Then inspect the pawl to verify it does not have this potential problem.

If you experience this problem, please call our 1-800-542-5377 Technical Support Line or the distributor you purchased the game from and we will send you a complete replacement Plunger, Link and Pawl Assembly, if required.

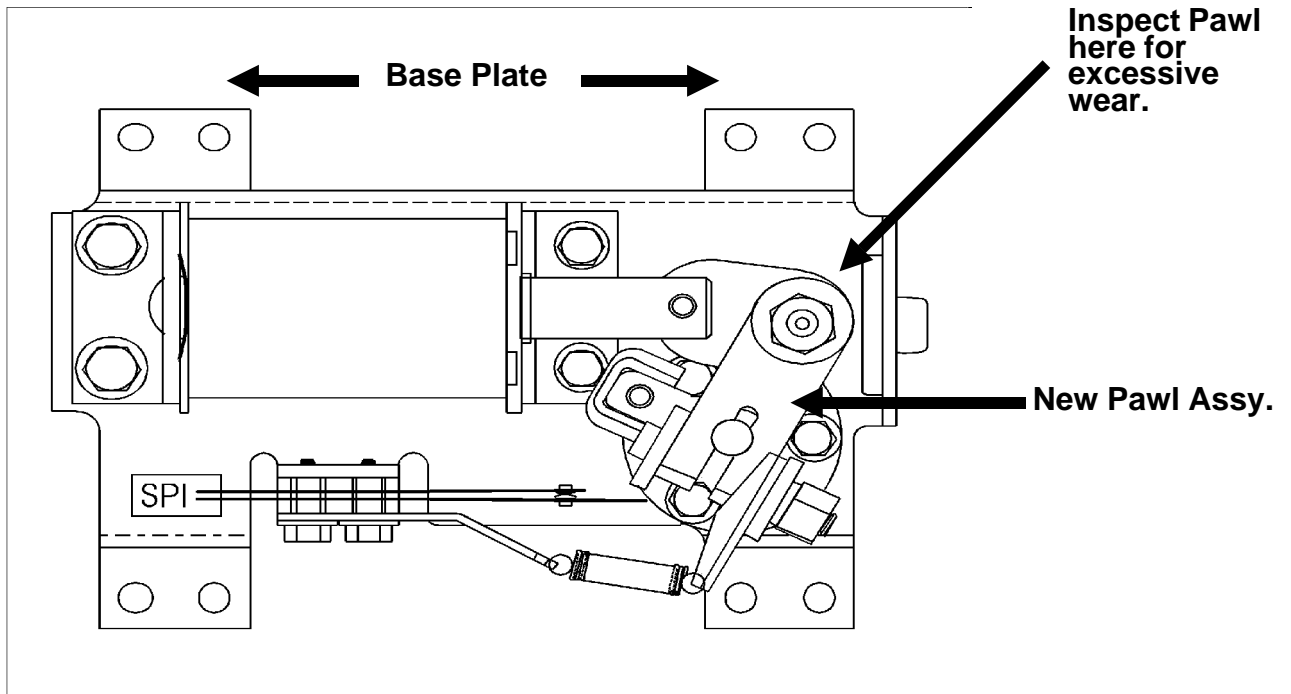
Note - We will require the serial # of the game, the date the game was purchased and the name of the distributor it was purchased from.

- Batman Forever New Style Flipper Assy. (Lwr. Rt. Side, Coil 22-900), Part N° 500-5944-01
- Batman Forever New Style Flipper Assy. (Upr. Rt. Side, Coil 23-900), Part N° 500-6029-03
- Batman Forever New Style Flipper Assy. (Left Side, Coil 22-1080), Part N° 500-5944-12
- Pawl (Mounting Link) for the Right Flippers, Part N° 535-7271-00
- Pawl (Mounting Link) for the Left Flipper, Part N° 535-7271-01
- ® Replacement Plunger, Link & Pawl Assy. for the Right Flippers, Part N° 515-6518-00
- Replacement Plunger, Link & Pawl Assy. for the Left Flippers, Part N° 515-6518-01

If you have any questions or concerns, please feel free to call us at 1-800-542-5377 or 708-345-7700.

New Style Flipper (identified by new Base Plate and Pawl Assembly)

Fig. 1



Replacement Plunger, Link & Pawl Assembly

Fig. 2

