

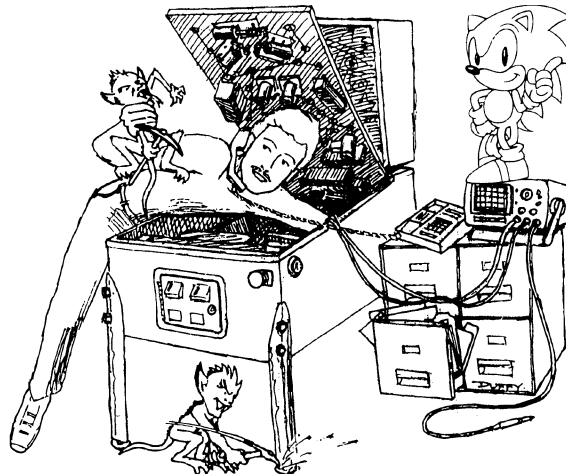
Service Bulletin N° 71

SEGA™ PINBALL, INC.

1990 Janice Avenue
Melrose Park, IL 60160
• ☎ Tel 708-345-7700 •

Technical Support

- 1-800-KICKERS (800-542-5377) •
- Fax 708-345-7889 •



Joe Blackwell
Technical Support Manager

Eric Winston
Technical Support Engineer

Ted Kilpin
Technical Support Engineer

Jay Alfer
Tech. Doc. Administrator

TO: Parts & Service Managers

DATE: February 17, 1995

RE:  **Ball Trap**

SYMPTOM — We have seen a problem with some Mavericks where the ball while in play may momentarily stall on top of the 5-Bank Special Drop Target while they are down (refer to Fig. 1). If the targets reset while the ball is on top of the targets, there *is a chance* the ball will be lofted into the bottom of the Lauren Belle Boat and seem to disappear.

NOTE — *The machine will go into ball search and not locate the ball but will then continue on. The display upon power up will indicate one ball missing.*

PROBLEM — The Special Drop Target height is not properly adjusted when they are in the **down position**. If the top of the targets are below the level of the playfield, it creates a *trough* which can cause a ball trap to exist on any pinball machine. In this case, due to the width of the targets, the ball can actually be lifted into an opening beneath the boat.

SOLUTION — Adjust the height of the drop targets so that they are flush or a little higher than the playfield while in the down position. This will insure that the ball cannot rest on the targets. **CAUTION: Prior to turning the adjustment screw, ensure screws 1 & 2 and nut 3 are loosened.** Refer to Fig. 2 for the location of the **Reset Bar Height Adjustment Screw and screws 1 & 2, and nut 3.**

NOTE 1 — *This type of ball trap can occur on any pinball machine, so remember this procedure.*

NOTE 2 — *One operator took a small piece of foam cushion and placed it in the hole beneath the boat. This is not a bad idea, however, **proper adjustment of the targets will eliminate the need for this.***

Figures 1 & 2 are on page 2.

Fig. 1

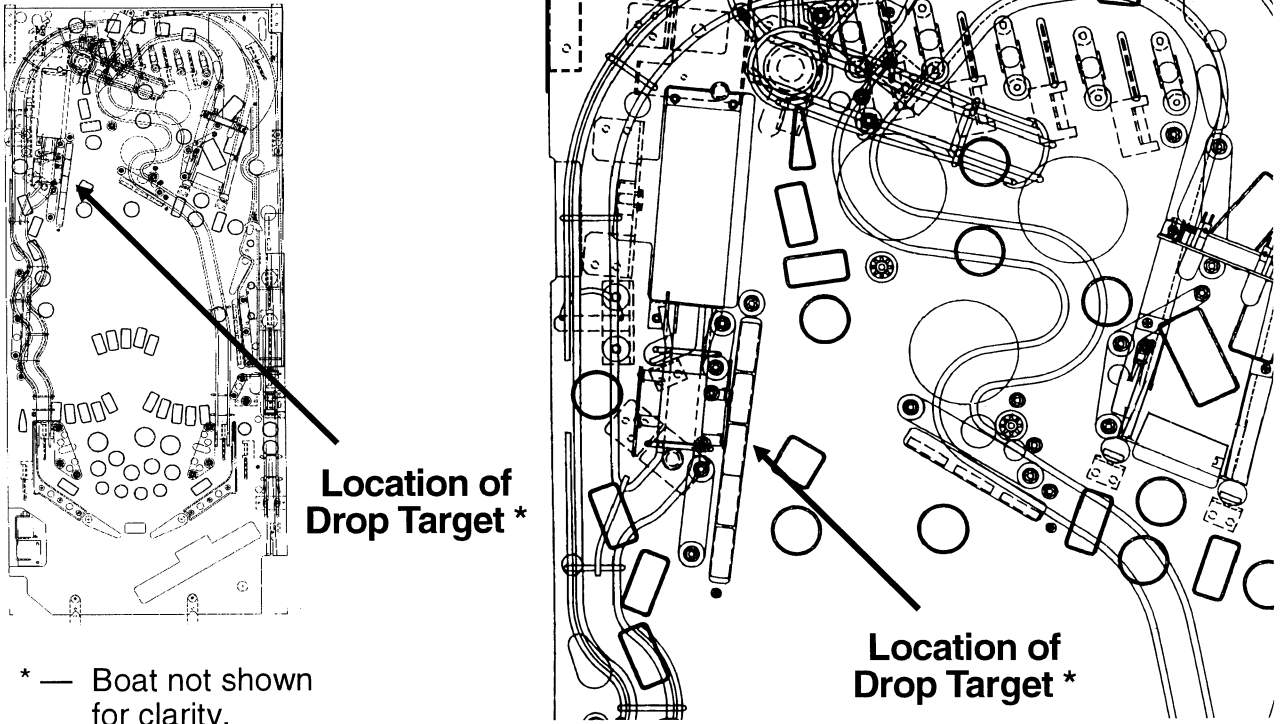
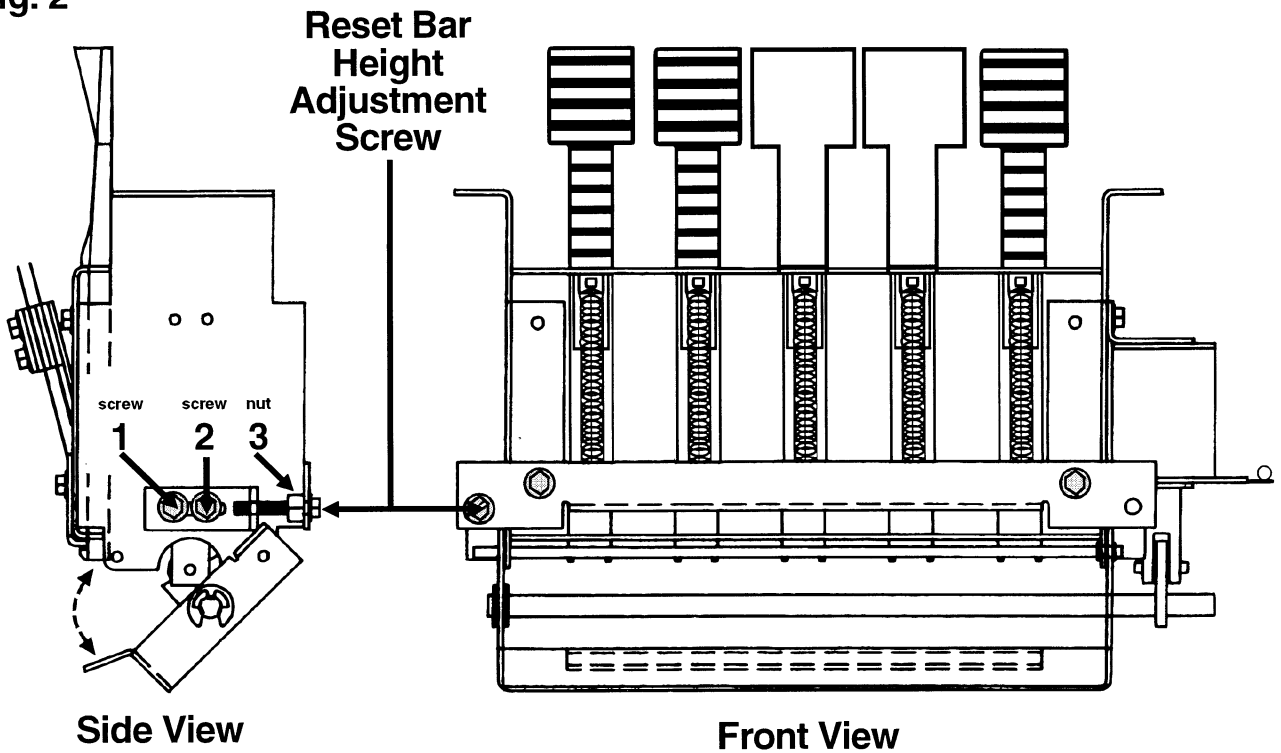


Fig. 2

5-Bank Special Drop Target (500-5912-00)



If you have any questions or experience any problems, please call our Technical Support Department.