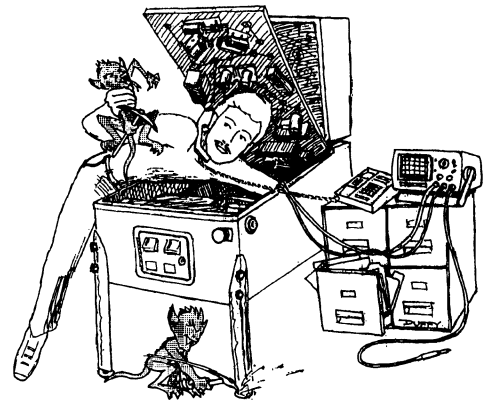




Data East Pinball, Inc.
1990 Janice Avenue
Melrose Park, IL 60160
© 1-800-KICKERS or © 708-345-7700
Fax: 708-345-7889



Technical Support

Joe Blackwell
Director, Technical Support

Eric Winston
Technical Support Engineer

Jay Alfer
Tech. Doc. Administrator

Steve Novak
Technical Support Manager

TO: Parts & Service Managers

DATE: Aug 3, 1994

RE: **wacky gator** Update Instructions

We have determined through testing and results from the field that some "Wacky Gators" have a condition that can cause unnecessary maintenance. The units in question were produced between 03-05-93 and 03-29-94 and have one thing in common. The main transformer design was changed to allow for overseas line voltage conversions. The transformer secondary voltages were such that variances or fluctuations in line voltage can cause higher than normal DC voltages which may sometimes result in premature power supply failure and drive transistor and lamp burnout. We at Data East have developed a program to assist you, the operator, to improve your "Wacky Gator".

- 1) Locate the manufactures sticker on the back of the cabinet and write down the serial #.
- 2) Call 1-800-542-5377; explain that you feel you may need a Wacky Gator Transformer Update kit.
- 3) Your Data East representative will ask you for the serial # and a description of the problem.
- 4) If it is determined that you require the update then one will be sent to you free of charge.

Purpose: This procedure describes the criteria and method to successfully perform an "Update" to Wacky Gator Games.

Objective: To ensure a reliable functioning Wacky Gator Game.

Associated Materials: *Mandatory* —
UPDATE KIT FOR DOMESTIC WACKY GATORS - 120v AC/60 Hz
Kit Part N° 580-0005-00

Description	Part N°	Qty.
1. Transformer P396P18A	010-0010-00	1
2. Heat Sink with Screw	530-5381-00	1
3. 10 amp Slo-Blo Fuse	200-0022-00	1

Recommended Improvement Package —
Kit Part N° 580-0007-00

Description	Part N°	Qty.
4. Chassis Block with screws	545-5529-00	5
5. Roller Tire	260-0008-01	5
6. Rubber Pad	285-0005-00	5

PROCEDURE:

The following procedure will identify each component of the associated materials required to perform this update.

A. OLD TRANSFORMER - REMOVAL —

1. Unplug the Wacky Gator Game.
2. Remove the lower rear back door.
3. Locate the transformer assembly inside the base of the cabinet. (See Fig. 1)
4. Disconnect the AC input to transformer at the line filter output (2 wires). (Ref. Fig. 1-1)
5. Identify the transformer 6 secondary AC outputs to the Bridge Rectifiers & disconnect the wires at the Bridge Rectifiers. (Ref. Fig. 1-2)
6. Remove the transformer mounting screws (save for next step) and discard the old transformer.

B. NEW TRANSFORMER - INSTALLATION —

1. Mount the new transformer (associated material #1) at the same location with the 4 mounting screws used from removal.
2. Connect the 2 transformer primary input wires (BLK & BLK/WHT) to the line filter output. (Ref. Fig. 1-1)
3. Reconnect the 6 transformer output wires (RED, ORG, YEL) to the associated Bridge Rectifiers. (Ref. Fig. 1-2)

C. HEAT SINK - INSTALLATION —

Note: *This installation is necessary if the Bridge Rectifier is mounted on Transformer Assembly Plywood Base.*

1. Locate the 28v Bridge Rectifier, remove the Bridge Rectifier mounting screw, discard the screw. (Ref. Fig. 1-3)
2. Lift and mount the 28v Bridge Rectifier on the Heat Sink (associated material #2) and secure with new enclosed screw to the transformer assembly plywood. Location is normally in front of the large heat sink. (Ref. Fig. 1-4)

D. **FUSE 28v DC —**

1. Remove 8 amp fuse located on the transformer assembly. (Ref. Fig. 1-5)
2. Install a 10 amp Slo-Blo Fuse supplied (associated material #3).

E. **DC VOLTAGE CHECK —**

1. Plug in the Wacky Gator Game.
2. Check the DC voltage at the large capacitors and ensure the voltages fall between the specified ranges. (Ref. Fig. 1-6)

a. Capacitor	RED Wire	10.00 - 11.50v DC unreg
b. Capacitor	YEL Wire	15.03 - 16.50v DC unreg
c. Capacitor	BRN Wire	26.00 - 28.00v DC unreg

F. **CHARACTER - REMOVAL** (This describes the disassembly of the cabinet and character removal.)

1. Unplug the Wacky Gator Game.
2. Remove the 4 Allen head screws (Ref. Fig. 2-1) securing the backbox to the main cabinet.
3. Hold the backbox firmly and tilt / swing backbox to its rest position.
4. Remove all 5 slope plates (Ref. Fig. 2-2) and set aside.
5. Remove the 4 wooden character retaining blocks between the characters and set aside.
6. Locate character opto harness at rear of character assembly and disconnect from main harness. (Ref. Fig. 2-2)
7. Character assy's can now be lifted out.

G. **CHASSIS BLOCK - INSTALLATION**(The Chassis Block (Assoc. mat #4) is used to prevent the Opto sensor pcb chassis bracket from bending.)

1. Place character assy. on a good working surface.
2. Remove the 4 Allen head screws securing the body to the chassis, using a 1/8" Allen wrench. (Ref. Fig. 3)
3. Locate the OPTO PCB (Ref. Fig. 3) remove the mounting screws (Ref. Fig. 3)
4. Install Chassis Block (assoc mat.# 4) by placing block in chassis channel directly behind opto pcb support bracket. (Ref. Fig. 3) Aligning the chassis block screw holes to OPTO PCB screw holes.
5. Remount and align OPTO PCB to bracket and chassis block with supplied screws from block. (Assoc. Mat.#4)
6. Ensure frame lever (Ref .Fig. 3) does not interfere with the OPTO sensor or OPTO PCB harness. This can be tested by manually pushing down on the frame lever. Ensure Frame Lever End clears OPTO Sensor. Lever End should be approximately centered between the OPTO Sensor.

- H. **ROLLER TIRE FOR SLOPE - REPLACEMENT** (If the upper Roller tire (Assoc. Mat.#5) used on frame lever does not move freely replacement is necessary.)
1. Locate upper roller tire for slope. (Ref. Fig. 3) Inspect and ensure roller spins freely. If roller shows uneven wear or does not spin freely, replace it.
 2. Remove external retaining ring (Ref. Fig. 3). Slide shaft out and remove roller.
 3. Install new roller (assoc. mat #5), reinsert shaft and attach retaining ring.
 4. Ensure new roller spins freely.
- I. **RUBBER PAD** (The rubber pad (Assoc. mat.#6) is to be affixed to the bottom rear of the character head.)
1. Locate the character head (Ref. Fig. 3).
 2. Push down on the nose of the character head, this will cause the head to pivot and raise the back end up.
 3. Remove backing from rubber pad and affix to the underside of the character head directly above the suspension cushion and suspension cushion bracket. (Ref. Fig. 3).
- J. **CHARACTER AND GAME REASSEMBLY** (Re-assembly starts with character body reversing through the character removal procedures.)
1. Reattach Character body using the 4 Allen screws.
 2. Reverse procedures for character removal. Install Character blocks and slope plates.
 3. Before securing the upper backbox to the main base cabinet exercise the characters using diagnostics or play several games with backbox still folded open. Make sure characters move freely with no binding and sound "ouch" when hit. A "munch" sound should be heard when the character is at the bite zone.
 4. If all characters are moving and sound with no problems lift backbox and secure upper backbox to main cabinet.

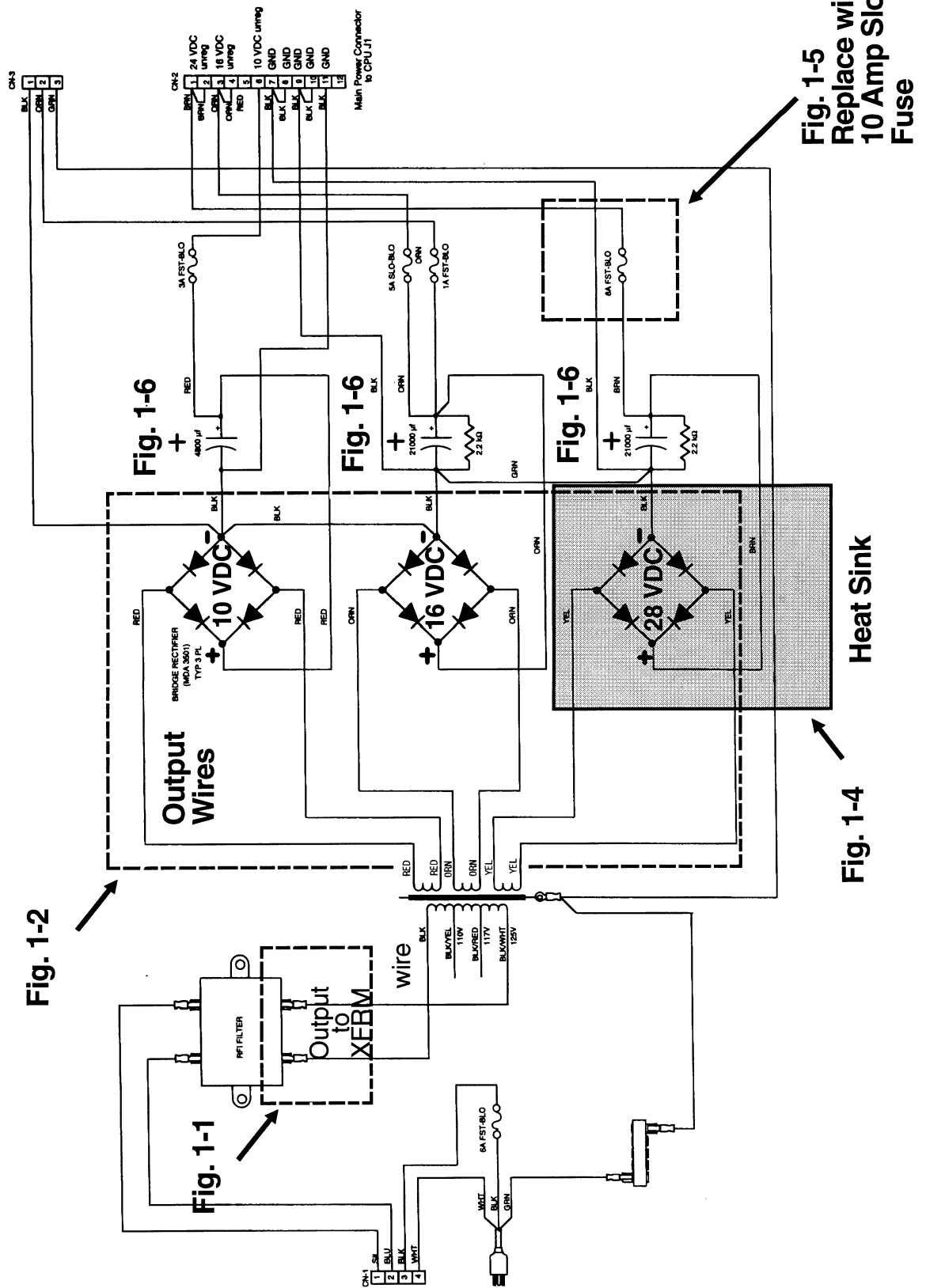


This concludes the update procedures if you should have any questions feel free to contact **DATA EAST TECHNICAL SUPPORT** at 1-800-542-5377.

Attached: Figure 1 (Fig. 1-1 — 1-6); Figures 2-1 — 2-2, and Figure 3

Fig. 1

Power Supply Wiring Diagram, 510-0178-00



Replace with 10 Amp Slo-Blo Fuse

Heat Sink

Fig. 1-2

Fig. 1-1

Fig. 1-6

Fig. 1-6

Fig. 1-6

Fig. 1-4

Fig. 3

Complete Wacky Gator Character Assembly
510-0176-00
Metal Assembly Only (parts not in dotted line)
515-0069-00

(descriptions of numbered items required for this bulletin are listed below, refer to page 16 of the manual for others)

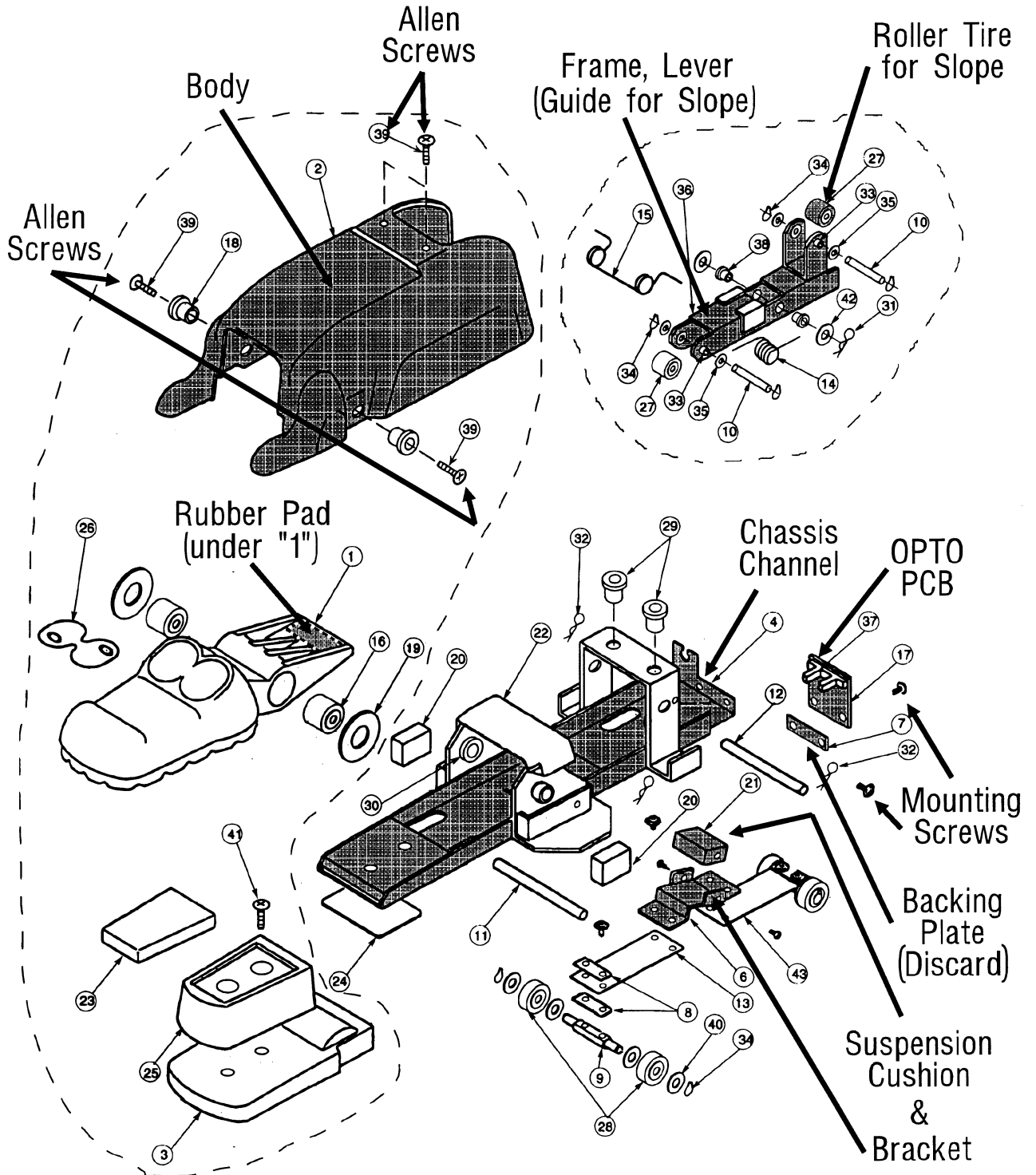


Fig. 2-1

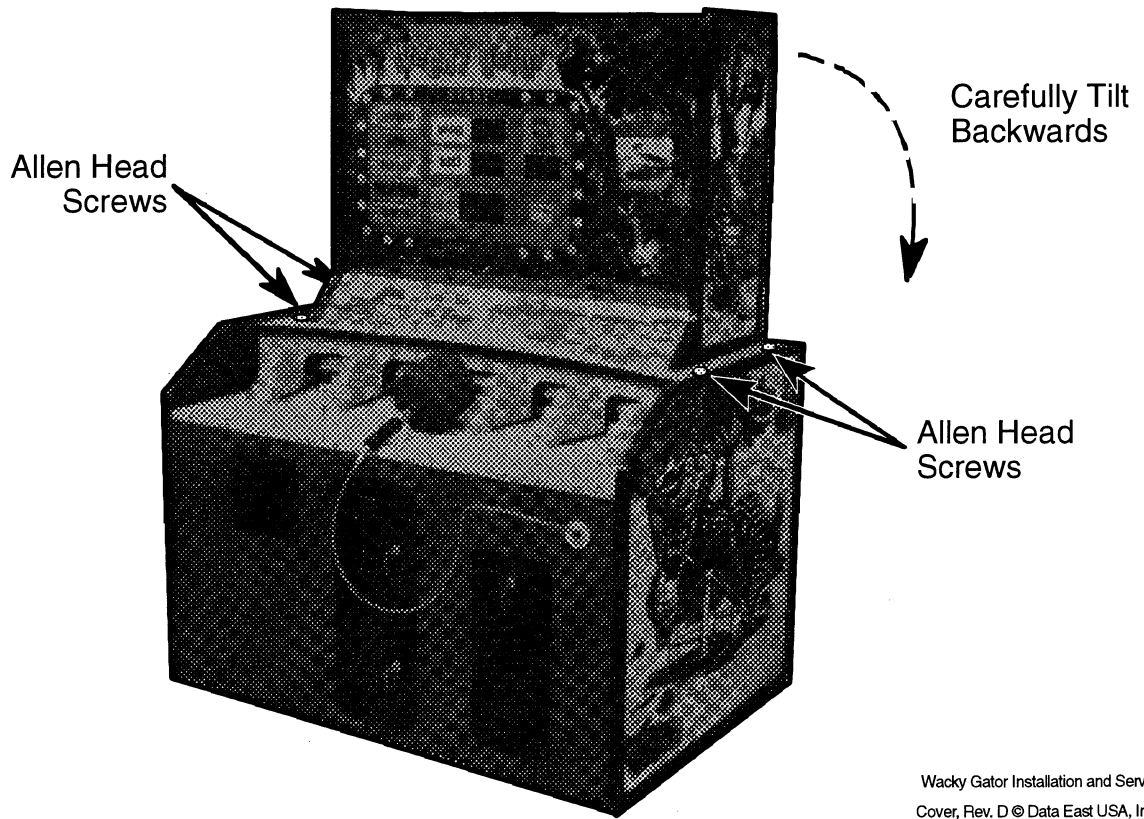
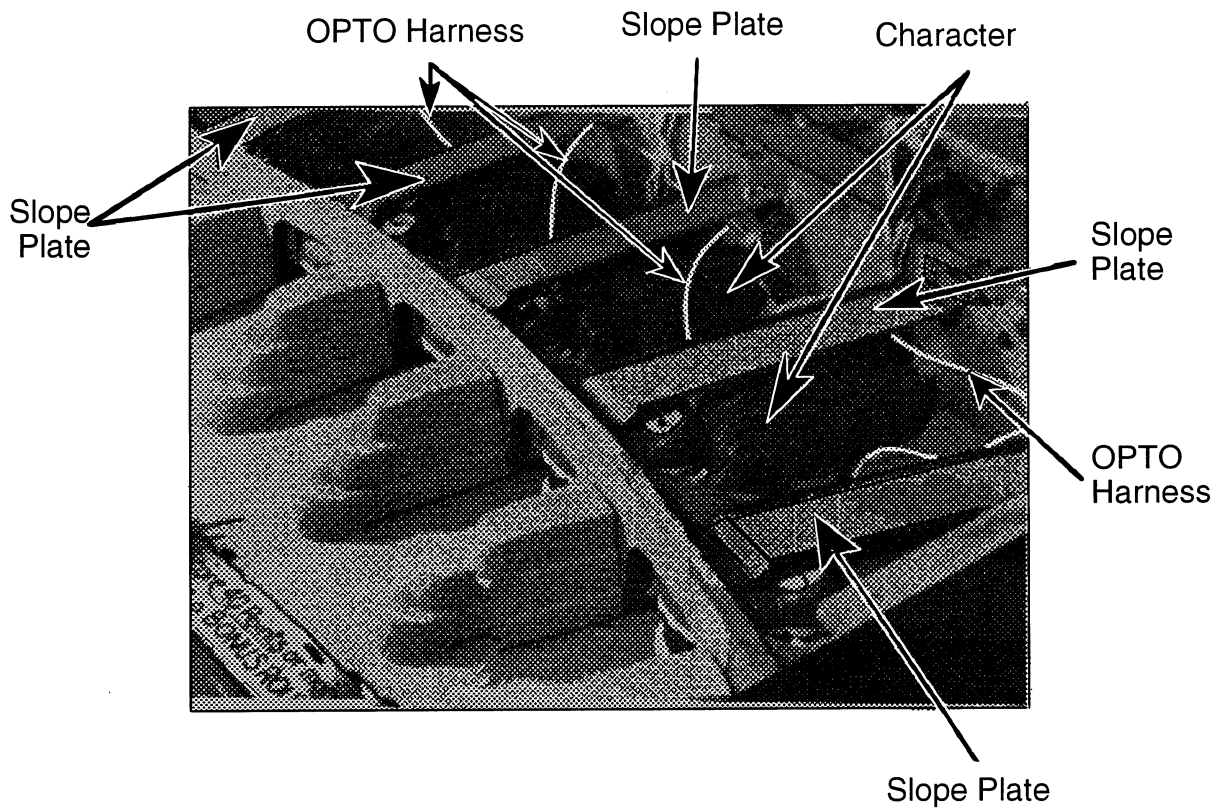


Fig. 2-2



Wacky Gator Installation and Service Manual.
Page 24, Rev. D © Data East USA, Inc. July 1992