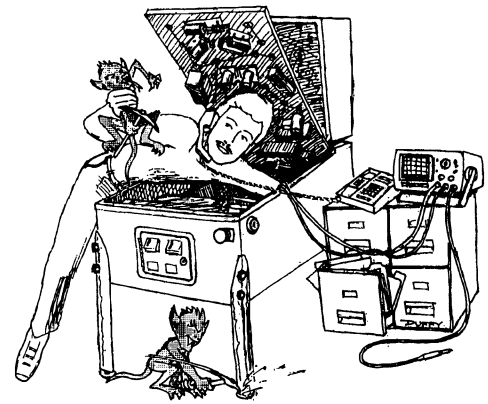




**Data East Pinball, Inc.**  
1990 Janice Avenue  
Melrose Park, IL 60160  
© 1-800-KICKERS or © 708-345-7700  
Fax: 708-345-7889



# Technical Support

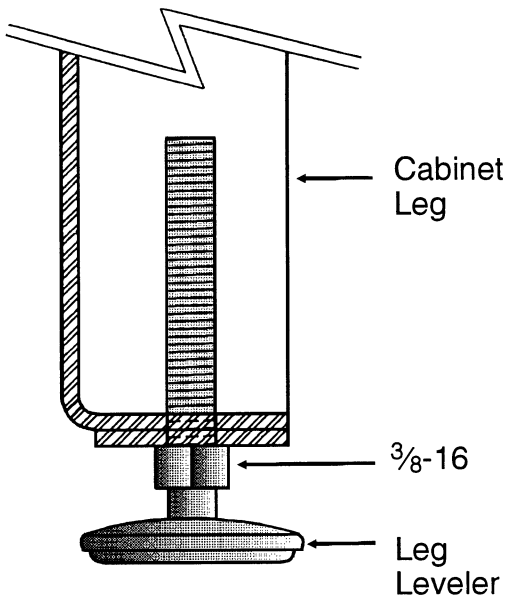
Joe Blackwell Director, Technical Support	Eric Winston Technical Support Engineer	Jay Alfer Tech. Doc. Administrator	Steve Novak Technical Support Manager
--	--	---------------------------------------	--

TO: Parts & Service Managers  
DATE: July 22, 1994  
RE: **GUNS N' ROSES** New Design: Cabinet & Legs / Backbox Easy Access System

## Cabinet and Legs:

Please note that we have redesigned our cabinet and legs so that little to no leg leveler adjustment will be necessary. When the leg levelers are screwed all the way into the bottom of the leg the playfield pitch will automatically be at 6.5°. Minor adjustment may be necessary depending on the location floor being level.

**IMPORTANT:** Raising the leg levelers with this improved cabinet design may cause problems with game play due to the extreme playfield pitch. Remember to keep the leg levelers flat to obtain a 6.5° playfield pitch. Do not raise leg levelers (unless floor is uneven).



### **STEP 1**

Assemble all (4) legs and levelers as shown in the diagram. Be sure the leveler is turned all the way in.

### **STEP 2**

Attach leg assemblies to cabinet with leg bolts provided.

**YOUR PLAYFIELD PITCH IS NOW AT 6.5° AS REQUIRED FOR PROPER GAME PLAY!** See Step 3.

### **STEP 3**

Verify 6.5° pitch. Minor adjustment(s) may be necessary depending on the location floor being level.

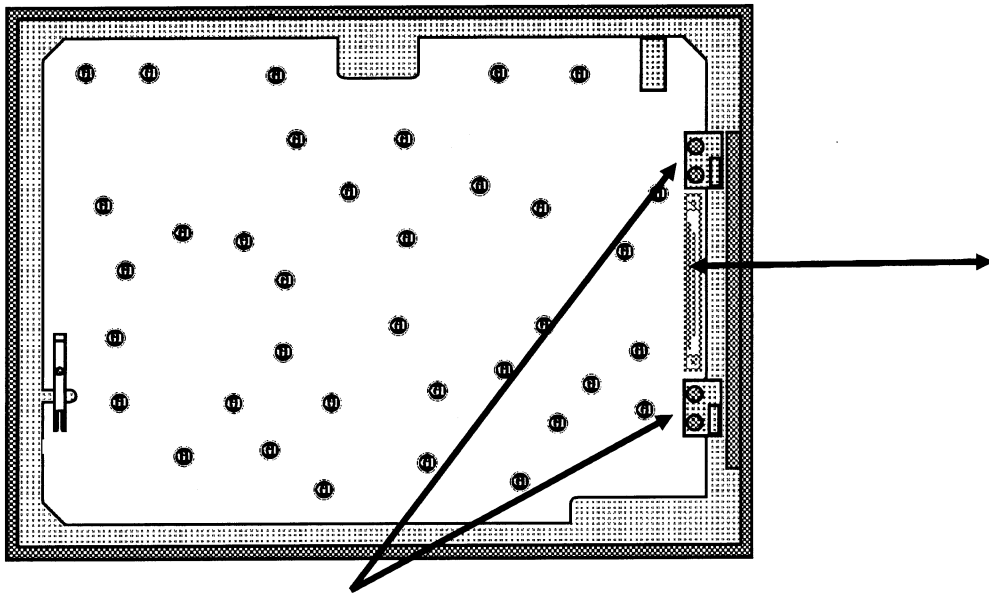
*For custom adjustment greater than 6.5° can be achieved by turning out the leg leveler, however, it is not recommended.*

*continued next page*

## Backbox Easy Access System:

We have also redesigned our backbox door hinge assembly using a removable hinge and relocated it on the opposite side so that the door opens to the right. This will allow easier access to the backbox by allowing the technician to easily remove the door completely from the machine by disconnecting two connectors and lifting the insert upward.

These particular changes are in response to operators suggestions, please keep the tips coming.



LIFT OUT HINGES

