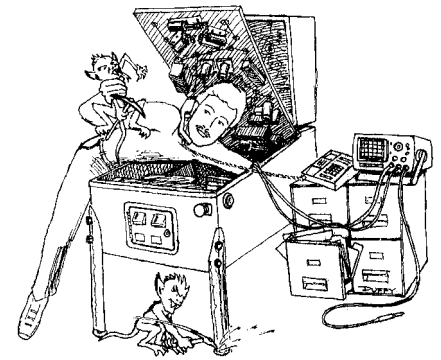


Service Bulletin N^o 105



Joe Blackwell
Technical Support Manager

Eric Winston
Technical Support Engineer

Doug Lemons
Technical Support Engineer

Jay Alfer
Technical Support Administrator

TO: Parts & Service Managers

DATE: November 21, 1997

SUBJ: The X-Files: Playfield Update Kit (SPI N^o 500-6281-00)



Explanation:

We have found through continually monitoring our test games (with accompanied reports from the field) that there has been excessive wear to the playfield in front of the Filing Cabinet Assy. (above the Magnet Core). To prevent premature playfield wear over this area, The **X-Files: Playfield Update Kit** (500-6281-00) is being sent to you. **This kit contains:**

- Protection Plate w/adhesive (535-8265-01) (to replace the already existing Clear Mylar Cover to the same area)
- Plastic Shield (830-5943-00) (to prevent the ball from lofting after the Protection Plate is in place)
- EPROMs v3.02 CPU & v3.00 Display EPROMs (which reduce the Filing Cabinet Magnet activity by 1/2)
- Harvey's Plumber's Epoxy Putty (Single Stick) (to repair the playfield, if required)
- 80-Grit Sandpaper and Alcohol Pads (for surface cleaning & preparation)
- This Service Bulletin N^o 105 (Explanation & Procedure)

Procedure (refer to Drawings for Steps 1, 2 & 3 on the following pages):

STEP 1 (A) (See **STEP 1** Drawing, Pg. 2.) Remove the Clear Mylar in front of the Filing Cabinet. Using your Fingernail, carefully lift up one edge of the Mylar, carefully peeling it back. If Mylar will not easily peel back using your fingernail, the Mylar may be heated with a Blow Dryer or Heat Gun

CAUTION: IF USING A HEAT GUN, DO NOT APPLY HEAT FOR MORE THAN 3 SECONDS OR DAMAGE TO THE PLAYFIELD AND SURROUNDING AREA WILL RESULT.

(B) Clean the area of the playfield from where the Mylar was, removing any remnants of glue. Isopropyl Alcohol will provide the best results for removing any remaining glue left on the playfield from the Mylar removal. Inspect the playfield for any physical damage.

(C) BEFORE proceeding to Step 2: If physical damage is present fill or patch with the epoxy enclosed to even the playfield out. (See **STEP 1 (C)** Page 3.)

STEP 2 (A) (See **STEP 2** Drawing, Pg. 4.) Remove the protective backing paper from the Protection Plate (blue steel).

(B) BE CAREFUL! The adhesive is very strong, do not press down until plate is in the proper position. The plate should be placed directly over the Magnet Core Area in front of the Filing Cabinet as shown in the drawing (see **STEP 2**, Fig.). **NOTICE** the position of the plate and **MAKE SURE** the left & right edges of the plate are butted-up (parallel or even or flush) with the 3 posts on each side. When in place press down firmly in place using a soft cloth.

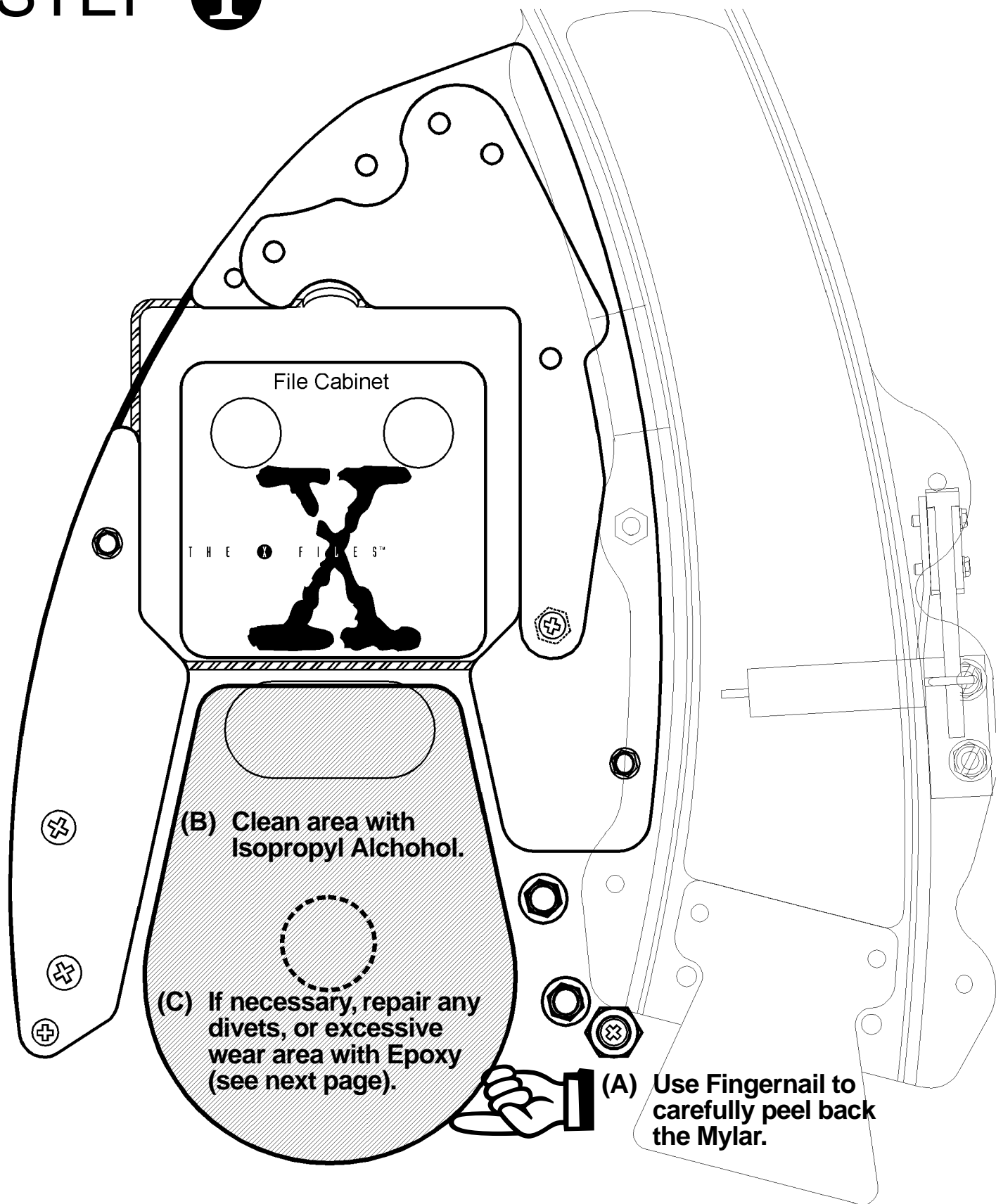
STEP 3 (A) (See **STEP 3** Drawing, Pg. 5.) Remove the screws, 5/16" Stop Nuts & Hex Spacer, at the positions shown.

(B) Position the Clear Plastic over the existing posts as shown in the drawing (see **STEP 3** Fig.). Tighten the Plastic Shield down using the removed screws and nuts.

AFTER COMPLETION OF STEPS 1, 2 & 3 OPEN UP THE BACKBOX AND SWAP THE EXISTING EPROMs ON THE CPU/SOUND BOARD AT LOCATION U210 (UNDER BATTERIES) AND THE DISPLAY CONTROLLER BOARD AT LOCATION U12 (ROM) WITH THE ENCLOSED EPROMs. Call Technical Support with any questions:

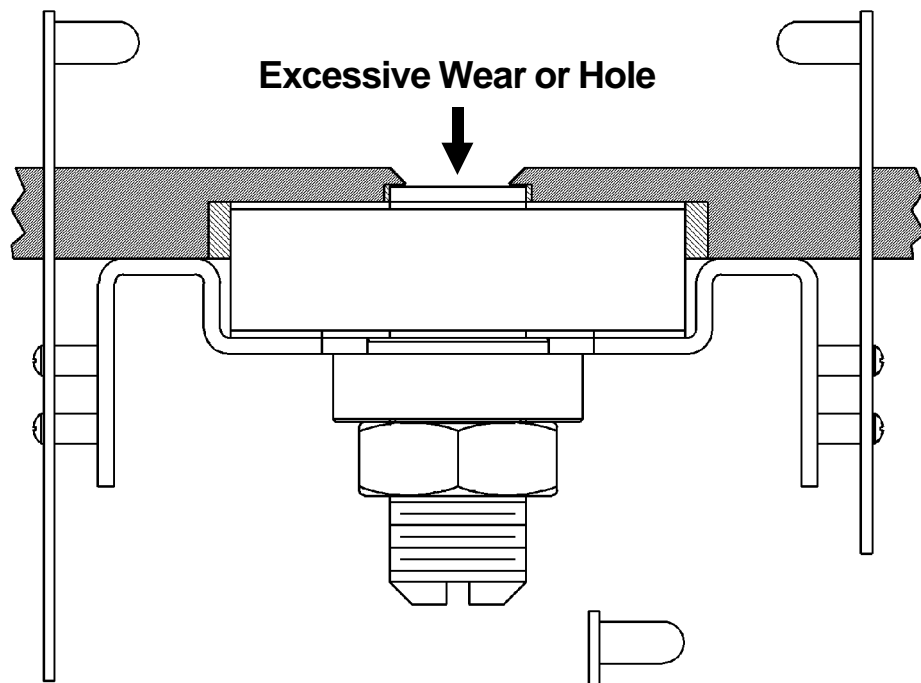
• 1990 Janice Avenue • Melrose Park, IL 60160 • Tel 708-345-7700 or Toll-Free (USA/Canada) 1-800-542-5377 • Fax 708-345-7889 •

STEP 1



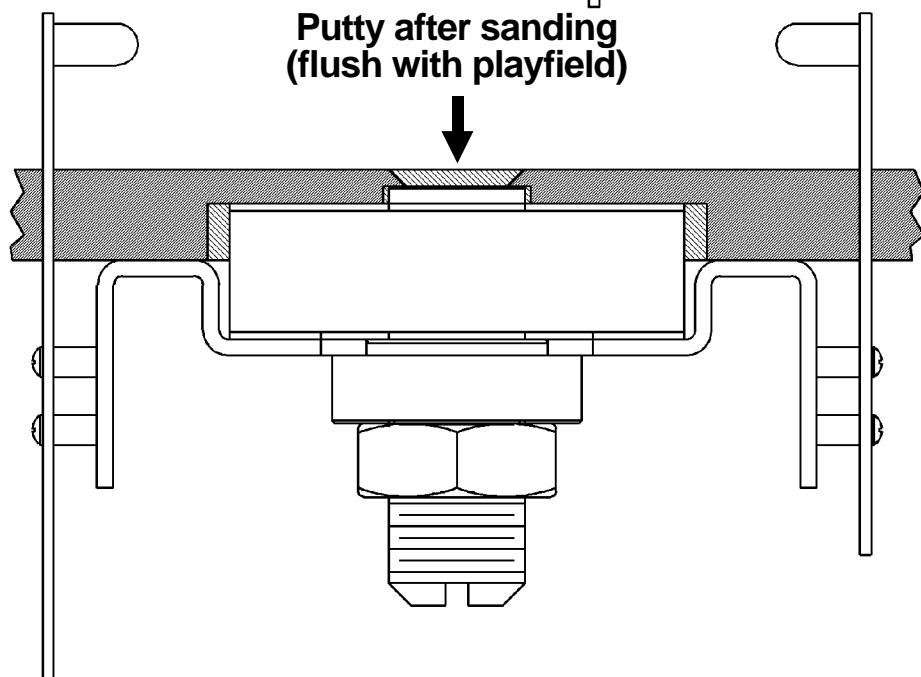
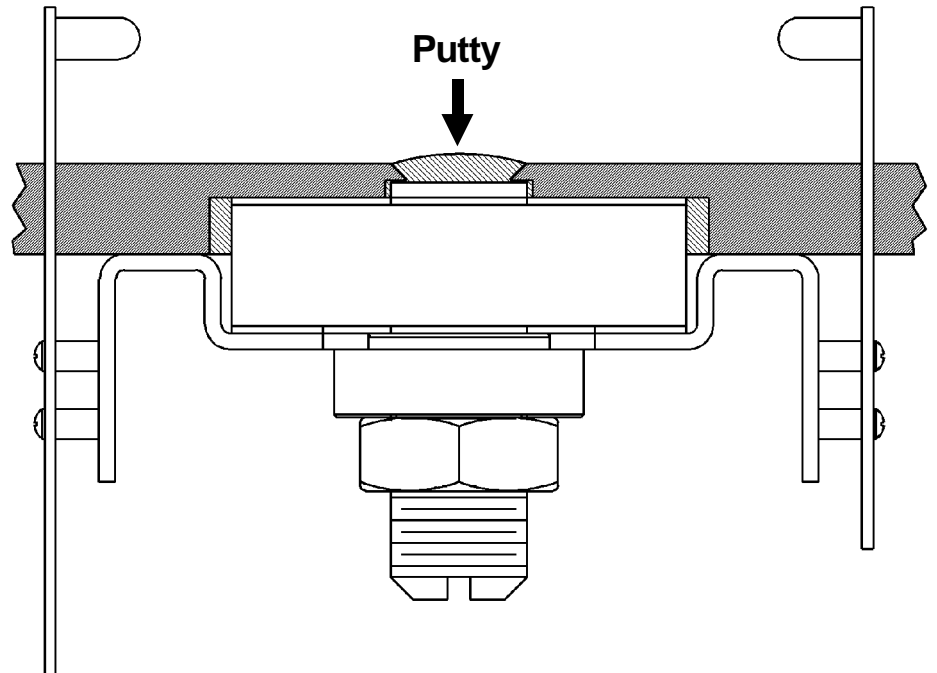
(A) Remove Mylar. (B) Clean Area. (C) If necessary, repair area if diveted or excessive wear.

STEP 1 (C)



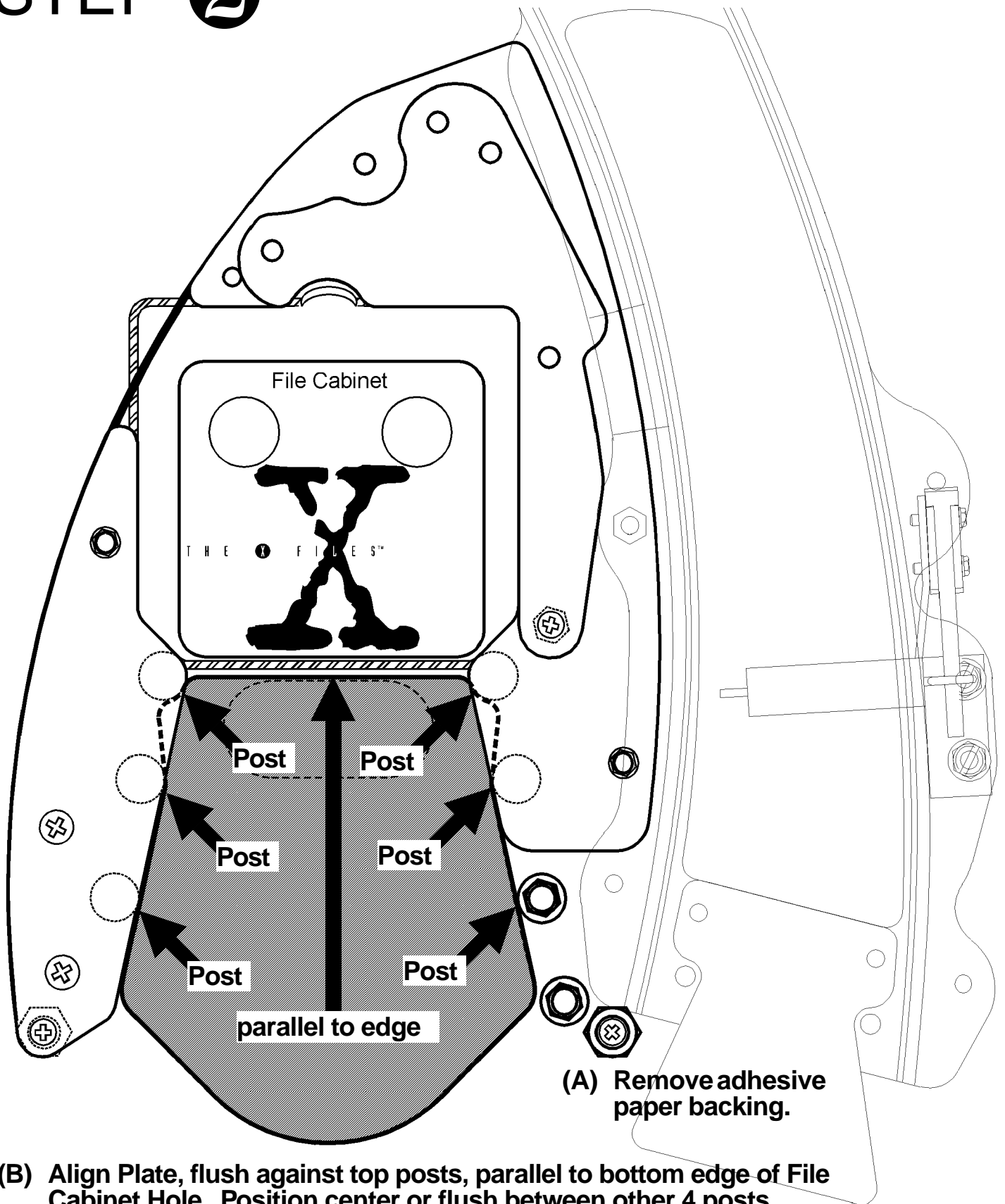
1. Break or Cut-Off enough Plumbers Epoxy (included in kit) to fill hole or worn area in the playfield.
2. Knead the putty with your fingers or roll it in your hands until the brown mixture in the center and the grey outer putty is thoroughly mixed and one consistent color.

3. Apply to the hole keeping it flush to the playfield with as little excess as possible (this will reduce the amount of sanding that will be required).
4. Wait approximately twenty (20) minutes for the putty to set before proceeding to the next step.



5. Sand flush to the playfield using 80-Grit Sandpaper (included in kit).
6. Clean the playfield using a damp cloth.
7. Using an alcohol wipe (included in kit) clean the area again ensuring all grease and oil is removed.
8. Continue to Steps ② & ③ (see Pages 1, 4 & 5).

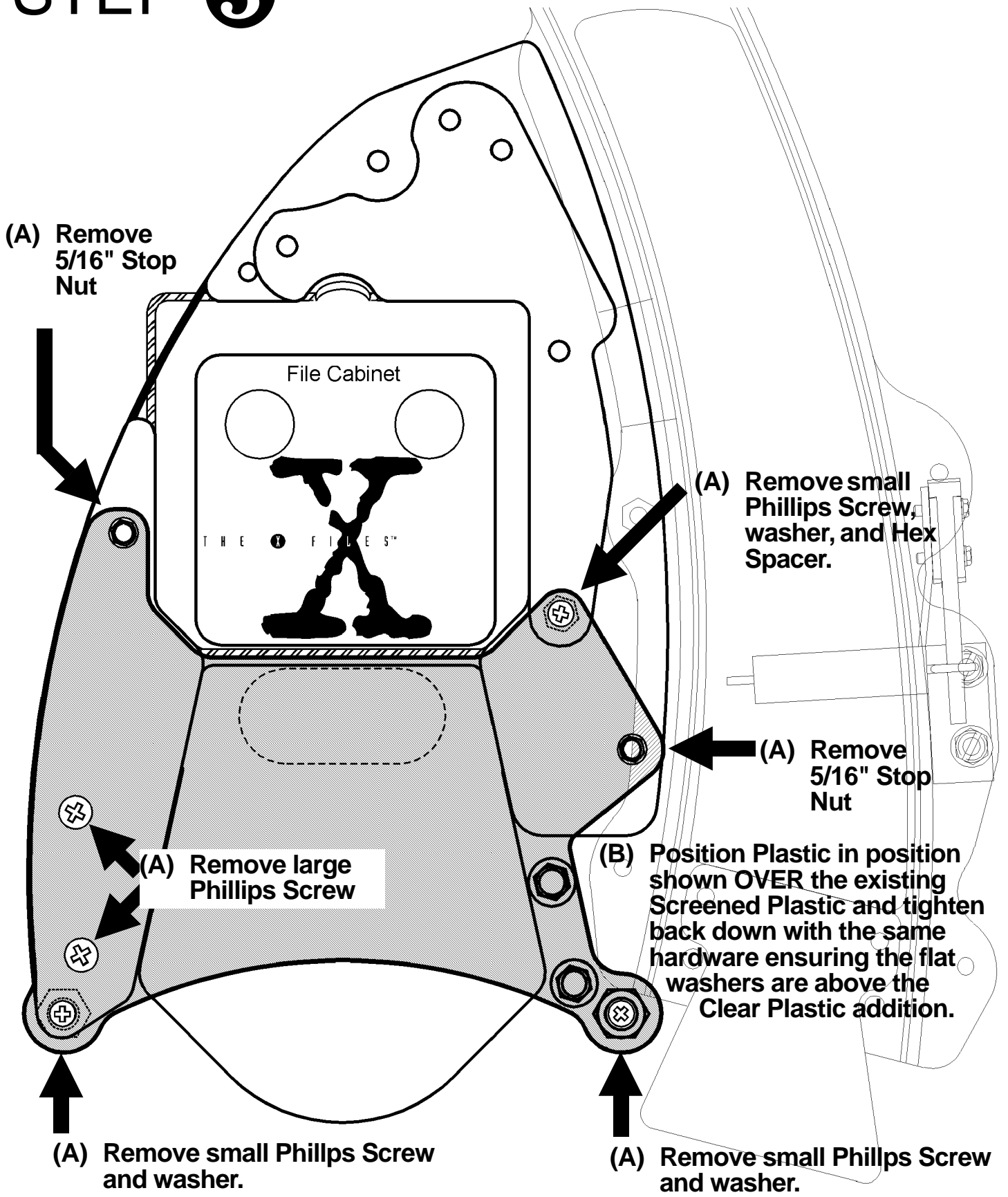
STEP 2



(B) Align Plate, flush against top posts, parallel to bottom edge of File Cabinet Hole. Position center or flush between other 4 posts.

(A) Remove adhesive paper backing. (B) Align Plate into area flush against posts as shown.

STEP 3



(A) Remove hardware as shown. (B) Position Clear Plastic over area as shown.

