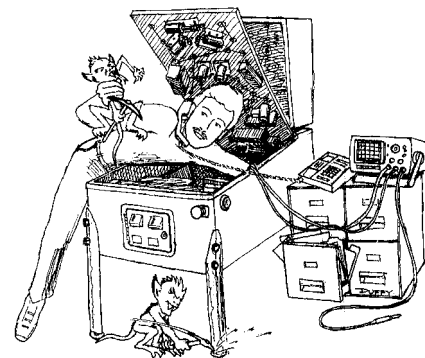


# Service Bulletin N<sup>o</sup> 102



Joe Blackwell  
Technical Support Manager

Eric Winston  
Technical Support Engineer

Doug Lemons  
Technical Support Engineer

Jay Alfer  
Technical Support Administrator

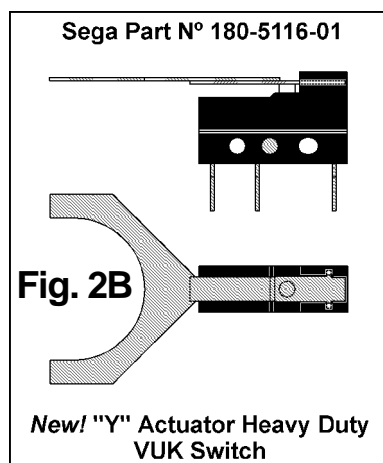
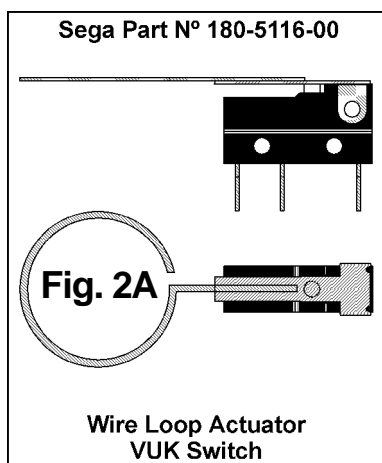
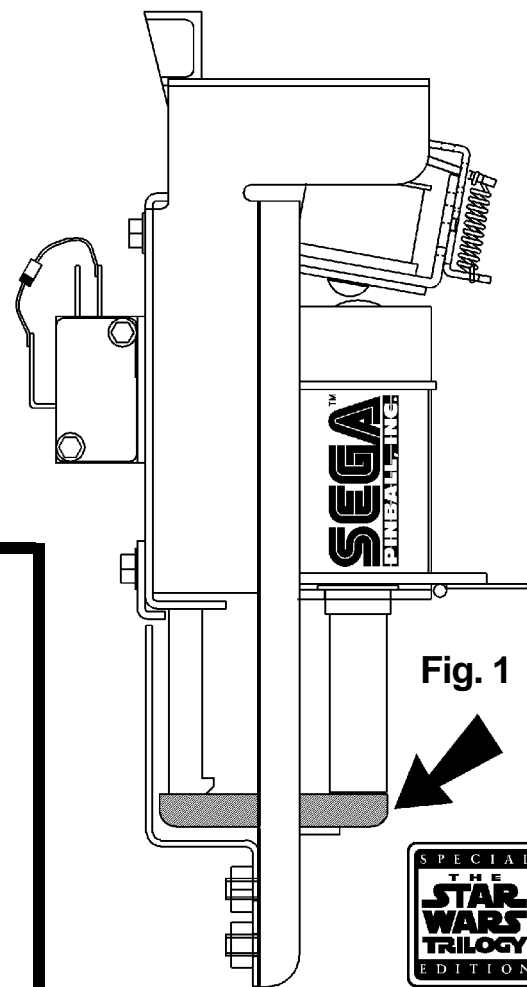
**TO:** Parts & Service Managers

**DATE:** June 20, 1997

**SUBJ:** FYI: What's New from Sega Pinball!!

We have redesigned the **Drop Target Lift Bracket** used in *The Star Wars Trilogy - Special Edition Pinball Game* using **more material** and a **harder material**. This **redesign** has come in response to a number of calls we have received from customers having had one of the *Lift Bracket Fingers* that support the *Targets* break-off (See Fig. 1).

The *New Heavy Duty Lift Bracket* Sega Part Number is **535-7706-14**.

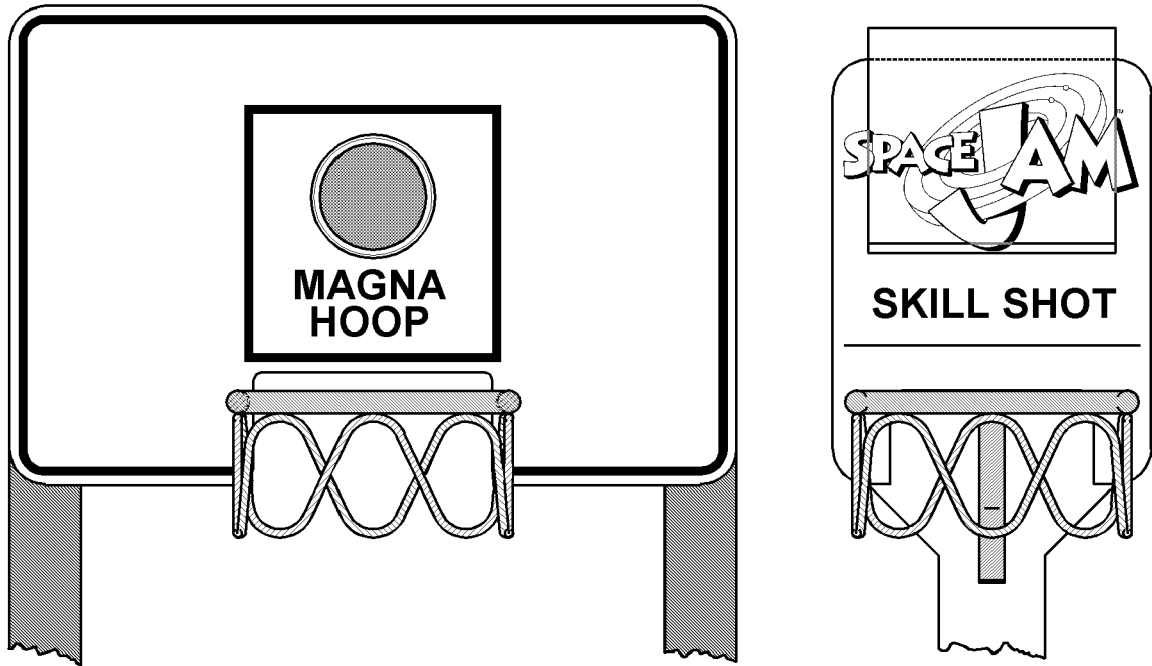


We have designed a **New! "Y" Actuator Heavy Duty VUK Switch** to be used in all of our new games and can replace all **Wire Loop Actuator VUK Switches** used on our previous games (used in various applications from **Last Action Hero** thru **Current Games**). The new switch uses the same heavy duty switch body we use on our **Ball Trough Switches** with a .030 thick flat metal actuator in a "Y" or "Fork" configuration (See Fig. 2A & 2B).

The *Wire Loop Actuator VUK Switch (Old Style)* Sega Part Number is **180-5116-00**.

The *"Y" Actuator Heavy Duty VUK Switch (New Style)* Sega Part Number is **180-5116-01**.

Fig. 3



**Space Jam** had two (2) **Basketball Backboards** (*Magna Hoop* and *Skill Shot*) which used *Decals* for the artwork. We have through our own testing found that the *Decals* are taking a real beating from the ball and in some cases may even start to peel away from the Magnet Core. Our engineers have designed an *Adhesive Backed Screened Butyrate* that can be used as a replacement for the *Decal* but will be **much more durable**. There is an increase in cost with the *Butyrate* versus the *Decal* but durability and the cosmetic appearance of the Backboards will be greatly improved (See Fig. 3).

The *Magna Hoop Backboard Decal* Sega Part Number is **820-6165-10**.

The **New Magna Hoop Backboard Butyrate** Sega Part Number is **830-5922-02**.

The *Skill Shot Backboard Decal* Sega Part Number is **820-6165-11**.

The **New Skill Shot Backboard Butyrate** Sega Part Number is **830-5922-01**.

Please update your Star Wars Trilogy & Space Jam Game Manuals with the NEW Part Numbers mentioned. All parts described within this Service Bulletin are available through Part Sales for replacement parts as required. Call Sega Pinball Technical Support at 1-800-542-5377 (800-KICKERS) for more information or questions.